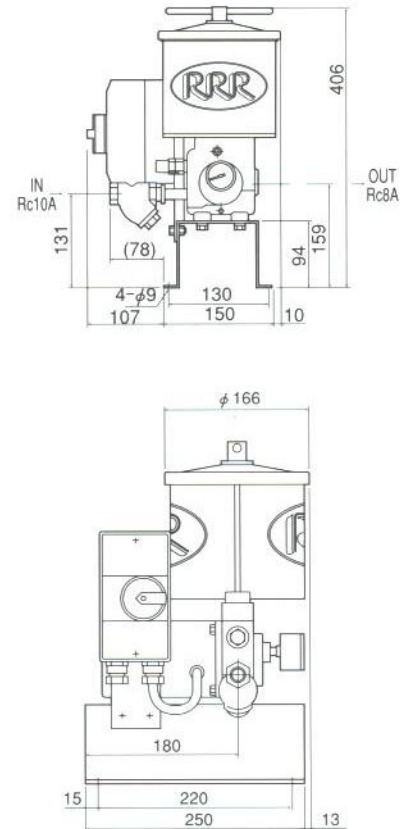


SE SERIES

REFINES OIL

- PRODUCT MODEL: SE50-YT
- PRODUCT NUMBER: 13510
- OVERALL DIMENSIONS (mm): W267 x L263 x H406
- MOTOR: AC100V (50/60Hz)
90W, 4P, 0.9A
- PUMP DELIVERY: .6 GPM
- WEIGHT (kg): 12.0 approx.
- APPLICABLE FILTER ELEMENT: M50, X50
- NUMBER OF FILTER ELEMENTS: 1
- OIL TANK SIZE: 200 GAL
- FEATURES:
Self equipped pump/motor/filter housing in one small body.
For small-size hydraulic machines. For integration into
Hydraulic or Lubrication circuit, pump/motor protected
by Y-strainer and thermal switch.



ALSO AVAILABLE WITHOUT "Y" STRAINER & MOTOR STARTER